

Paper Feed Unit Type 2600 (G555)

**Paper Feed Unit/Envelope Feed unit Type2600
(G555/G556)**

PARTS CATALOG

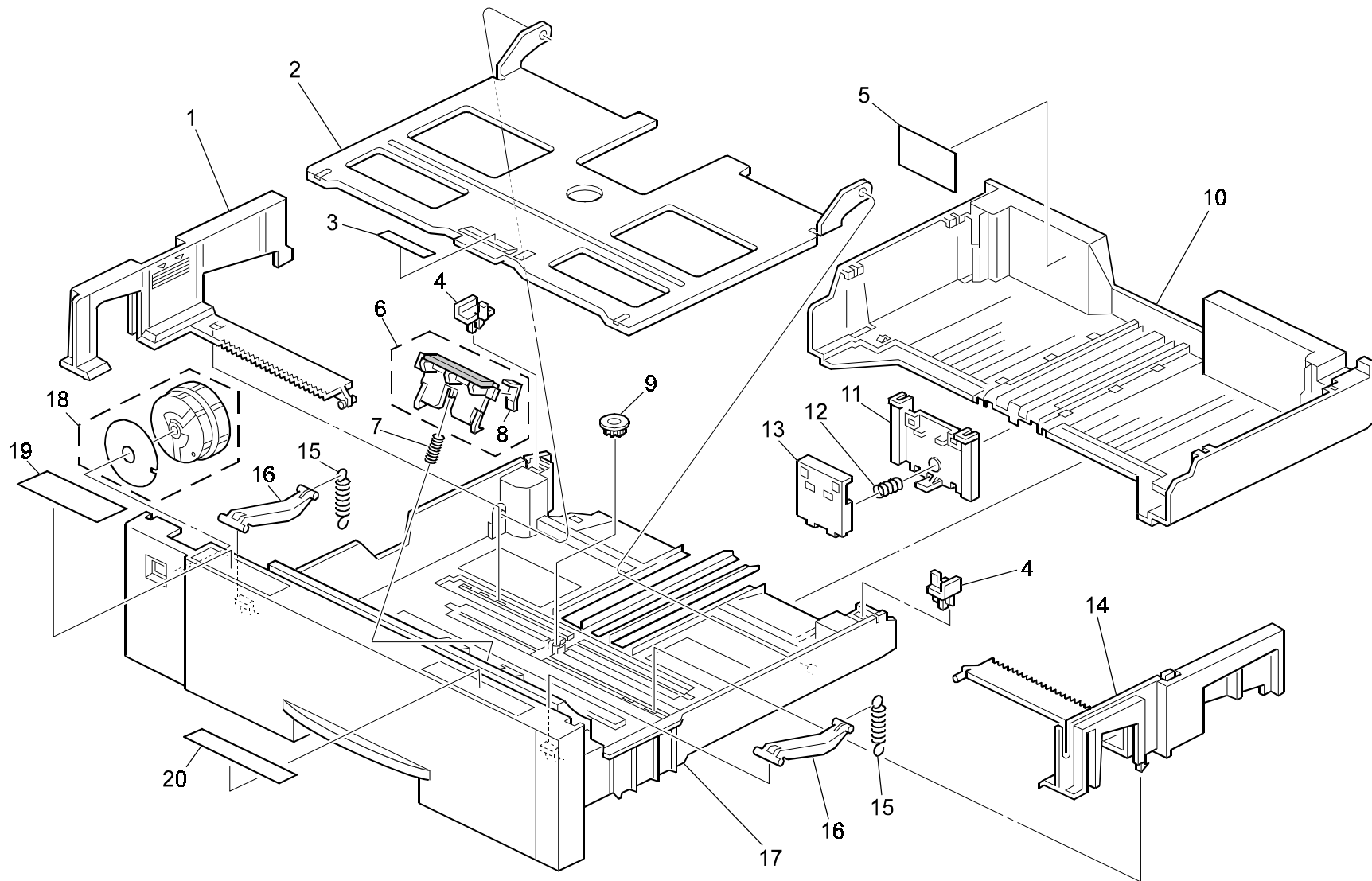
This catalog gives the numbers and names of parts on this machine.

CONTENTS

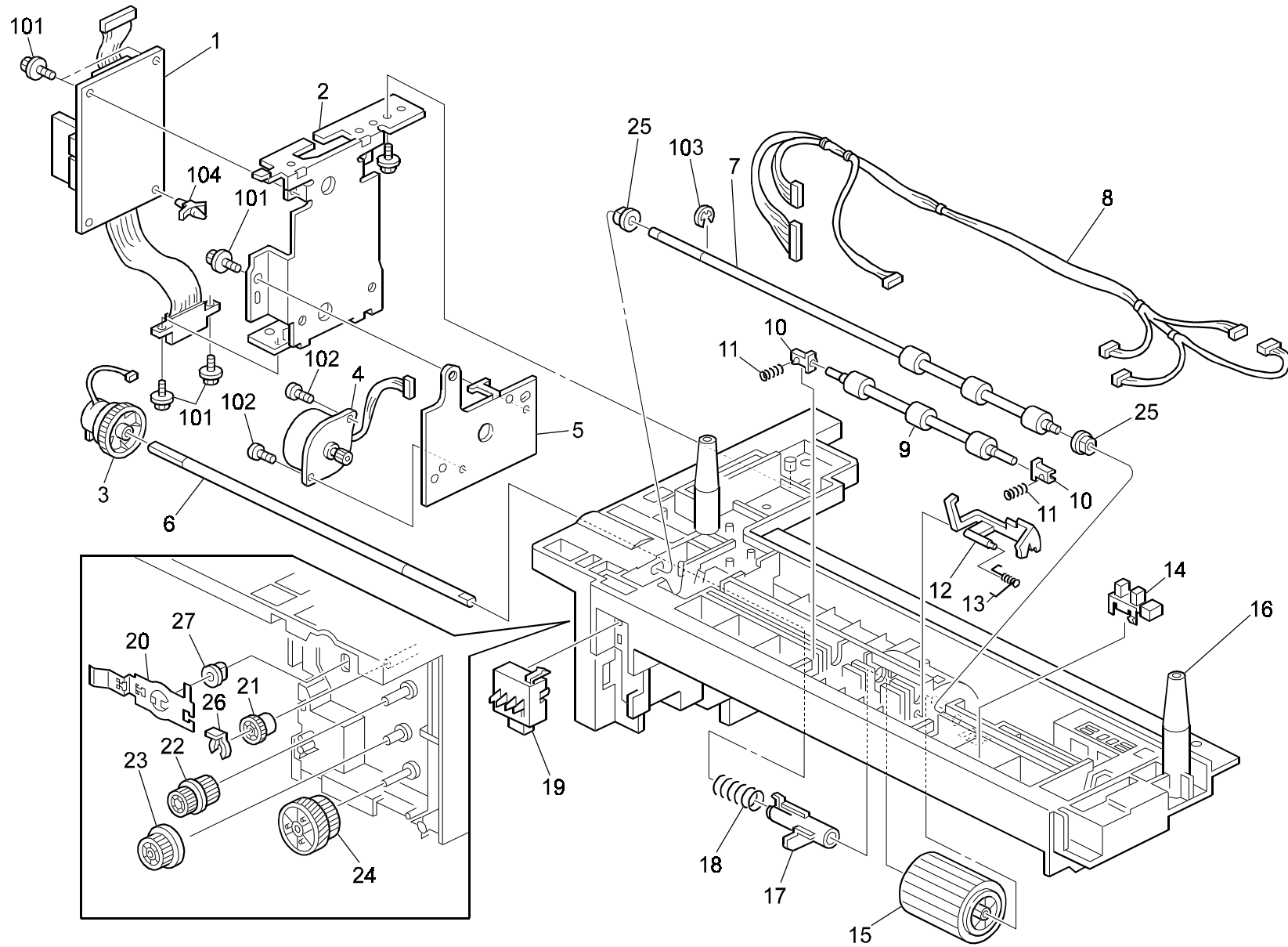
1.Paper Cassette (G555).....	2
2.Paper Feed (G555).....	4
3.Frame (G555)	6
Parts Index	9

October ,13 ' 2000

1. Paper Cassette (G555)



2.Paper Feed (G555)

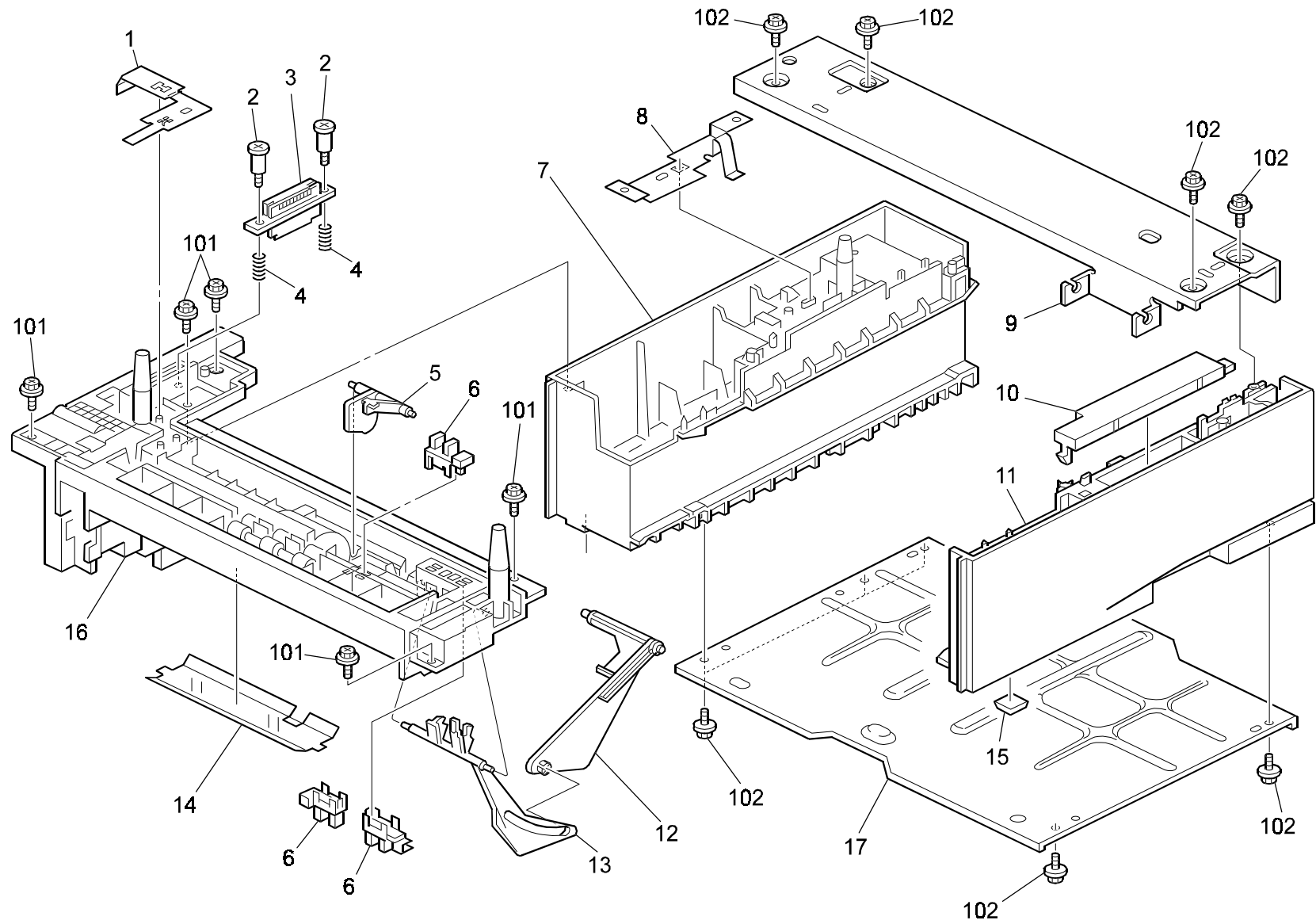


2.Paper Feed (G555)

Index No.	Part No.	Description	Q'ty Per Assembly
1	G555 5100	Interface PCB	1
2	G555 3221	Interface PCB Bracket	1
3	G555 3250	Transport Clutch	1
4	AX06 0183	DC Stepper Motor - 26.4W	1
5	G555 3226	Motor Bracket	1
6	G555 3112	Paper Feed Shaft	1
7	G555 3115	Drive Roller	1
8	G555 5320	Harness	1
9	G555 3116	Driven Roller	1
10	G555 3117	Roller Holder	2
11	G555 3142	Pressure Spring	2
12	G555 3119	Transport Detection Feeler	1
13	G555 3127	Feeler Spring	1
14	AW02 0086	Photointerruptor	1
15	G052 3103	Paper Feed Roller	1
16	G555 3111	Upper Housing	1
17	G555 3113	Paper Feed Shaft Holder	1
18	G555 3068	Separation Spring	1
19	G555 3210	Push Switch - Paper Size	1
20	G555 3121	Spring Plate - Shaft	1
21	G555 3248	Gear - 20Z	1
22	G555 3247	Gear - 21Z	1
23	G555 3246	Gear - 22Z	1
24	G555 3245	Gear - 21Z	1
25	5053 0447	Bushing - 6mm	2
26	5447 2681	Snap Ring	1
27	AA08 0252	Bushing - M4	1

Index No.	Part No.	Description	Q'ty Per Assembly
101	0451 3006B	Tapping Screw - M3x6	
102	0453 3006B	Tapping Screw - M3x6	
103	0720 0040E	Retaining Ring - M4	
104	1105 0192	Locking Support	

3.Frame (G555)



3.Frame (G555)

Index No.	Part No.	Description	Q'ty Per Assembly
1	G555 3125	Spring Plate - Bottom Plate	1
2	G555 3224	Stepped Screw	2
3	1102 8308	Connector - 12P	1
4	G555 3222	Pressure Spring	2
5	G555 3120	Paper End Feeler	1
6	AW02 0086	Photointerruptor	1
7	G555 1051	Left Frame	1
8	G555 1092	Grounding Plate	1
9	G555 1070	Upper Frame	1
10	G555 1065	Right Frame Cover	1
11	G555 1061	Right Frame	1
12	G555 3126	Paper Volume Arm	1
13	G555 3118	Paper Volume Feeler	1
14	G555 3131	Vertical Transport Guide	1
15	G555 1055	Cushion - Frame	2
16	G555 3111	Paper Feed Frame	1
17	G555 1082	Lower Frame	1



Index No.	Part No.	Description	Q'ty Per Assembly
101	0451 3006B	Tapping Screw - M3x6	
102	0450 3008B	Tapping Screw - M3x8	

Parts Index

Parts Index

Part No.	Description	Page and Index No.
G555 1051	Left Frame	7- 7
G555 1055	Cushion - Frame	7- 15
G555 1061	Right Frame	7- 11
G555 1065	Right Frame Cover	7- 10
G555 1070	Upper Frame	7- 9
G555 1082	Lower Frame	7- 17
G555 1092	Grounding Plate	7- 8
G555 3051	Front Paper Tray	3- 17
G555 3052	Rear Paper Tray	3- 10
G555 3057	Bottom Plate	3- 2
G555 3063	Left Side Fence	3- 1
G555 3064	Right Side Fence	3- 14
G555 3066	Pressure Pring	3- 15
G555 3068	Separation Spring	5- 18
G555 3069	Basepad	3- 3
G555 3075	Front End Fence	3- 13
G555 3076	Rear End Fence	3- 11
G555 3077	End Fence Spring	3- 12
G555 3080	Friction Pad	3- 8
G555 3080	Friction Pad	3- 6
G555 3085	Decal - Operation 1	3- 19
G555 3086	Decal - Operation 2	3- 20
G555 3087	Decal - Tray Setting	3- 5
G555 3091	Paper Size Detection Plate	3- 18
G555 3111	Paper Feed Frame	7- 16
G555 3111	Upper Housing	5- 16
G555 3112	Paper Feed Shaft	5- 6
G555 3113	Paper Feed Shaft Holder	5- 17
G555 3115	Drive Roller	5- 7
G555 3116	Driven Roller	5- 9
G555 3117	Roller Holder	5- 10
G555 3118	Paper Volume Feeler	7- 13
G555 3119	Transport Detection Feeler	5- 12
G555 3120	Paper End Feeler	7- 5
G555 3121	Spring Plate - Shaft	5- 20

Part No.	Description	Page and Index No.
G555 3125	Spring Plate - Bottom Plate	7- 1
G555 3126	Paper Volume Arm	7- 12
G555 3127	Feeler Spring	5- 13
G555 3131	Vertical Transport Guide	7- 14
G555 3142	Pressure Spring	5- 11
G555 3210	Push Switch - Paper Size	5- 19
G555 3221	Interface PCB Bracket	5- 2
G555 3222	Pressure Spring	7- 4
G555 3224	Stepped Screw	7- 2
G555 3226	Motor Bracket	5- 5
G555 3245	Gear - 21Z	5- 24
G555 3246	Gear - 22Z	5- 23
G555 3247	Gear - 21Z	5- 22
G555 3248	Gear - 20Z	5- 21
G555 3250	Transport Clutch	5- 3
G555 5100	Interface PCB	5- 1
G555 5320	Harness	5- 8

Part No.	Description	Page and Index No.
AA08 0252	Bushing - M4	5- 27
AW02 0086	Photointerruptor	5- 14
AW02 0086	Photointerruptor	7- 6
AX06 0183	DC Stepper Motor - 26.4W	5- 4
G029 2609	Cassette Protection	3- 4
G029 2657	Compression Spring	3- 7
G052 3103	Paper Feed Roller	5- 15
G800 3129	Cassette Arm	3- 16
G800 3133	Side Fence Gear	3- 9

Part No.	Description	Page and Index No.
5053 0447	Bushing - 6mm	5- 25
5447 2681	Snap Ring	5- 26

Part No.	Description	Page and Index No.
0450 3008B	Tapping Screw - M3x8	7-102
0451 3006B	Tapping Screw - M3x6	5-101
0451 3006B	Tapping Screw - M3x6	7-101
0453 3006B	Tapping Screw - M3x6	5-102
0720 0040E	Retaining Ring - M4	5-103
1102 8308	Connector - 12P	7- 3
1105 0192	Locking Support	5-104

Part No.	Description	Page and Index No.
----------	-------------	--------------------